

## Time switch technology

### Time switch modules, switching segments



FM Synchron (1STuZH)



FM Quarz (1QRTuZH)

#### Description

The analogue time switch modules are only suitable for installation and provides versatile application options throughout buildings and outdoors. They are used for universal switching tasks such as in switchgear, machine controls, or specific solutions as swimming pool control units and sprinkler systems. The analogue time switch

modules from the FM series feature enhanced dust protection and are used to control devices, motors, pumps, household appliances and boilers.

#### FM Synchron (1STuZH)

- Without power reserve

#### FM Quarz (1QRTuZH)

- With power reserve
- Quartz controlled

#### Product selection

Type of installation	Operating voltage	Type	Item no.	Available from
Structure	230 V AC	FM Synchron (1STuZH)	01.76.1001.1	03/2023
Installation	230 V AC	FM Quarz (1QRTuZH)	02.76.1001.1	03/2023

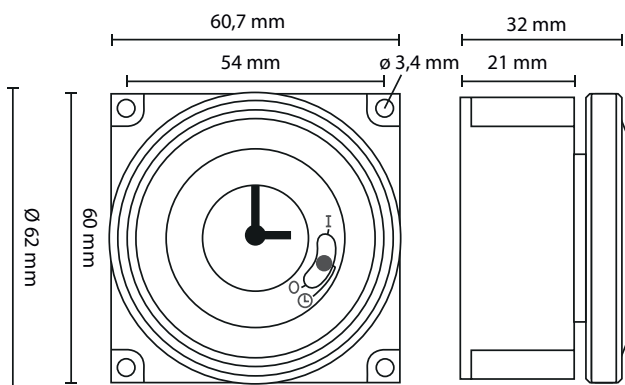
# Time switch technology

## Time switch modules, switching segments

### Technical data

	FM Synchron (1STuZH)	FM Quarz (1QRTuZH)
Operating voltage	230 V AC	110-230 V AC
Frequency	50 Hz	50-60 Hz
Type of installation	Module, for installation in end devices	
Type of contact	Changeover contact	
Program	Daily program	
Number of switching segments	96	
Number of channels	1	
Manual switch	Auto/Fix ON/Fix OFF	
Power reserve	-	max. 5 days
Drive	Synchronous motor	Quartz-controlled stepper motor
Switching output	Potential-free and phase-independent	
Switching capacity at 250 V AC, cos phi = 1	16 A	
Switching capacity at 250 V AC, cos phi = 0.6	8 A	
Incandescent/halogen lamp load	1400 W	
Shortest switching time	15 min	
Programmable every	15 min	
Time accuracy	Synchronised with mains	$\leq \pm 1.5$ s/day (Quartz) at 25 °C
Standby output	0,9 W	0,6 W
Housing and insulation material	High-temperature resistant, self-extinguishing thermoplastic	
Protection rating	IP 20	
Protection class	II as per EN 60 730-1	
Ambient temperature	-20 °C ... +55 °C	

### Scale drawings



### Connection examples

